

Motion detector - Professional Line

IS 345 MX Highbay

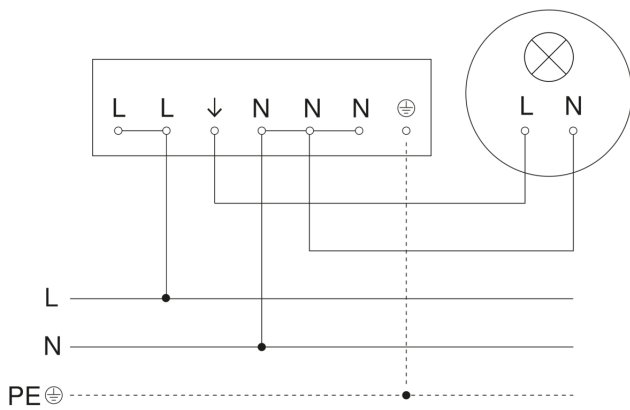
COM1 - surface, sq.
EAN 4007841 010492
Article number 010492



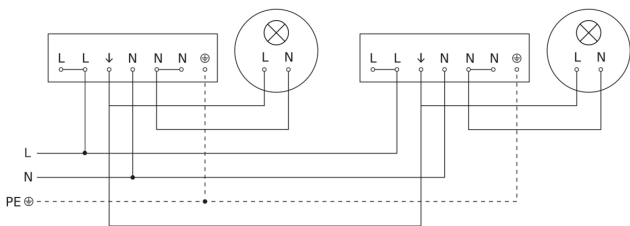
IS 345 MX Highbay

COM1 - surface, sq.
EAN 4007841 010492
Article number 010492

Circuit diagram



Circuit diagram for interconnecting several sensors

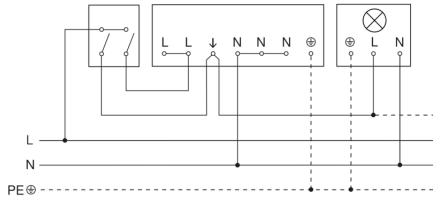


IS 345 MX Highbay

COM1 - surface, sq.
EAN 4007841 010492
Article number 010492



Connection using two-circuit switch for manual and automatic operation



Circuit diagram Connection via a changeover switch for continuous and automatic operation

